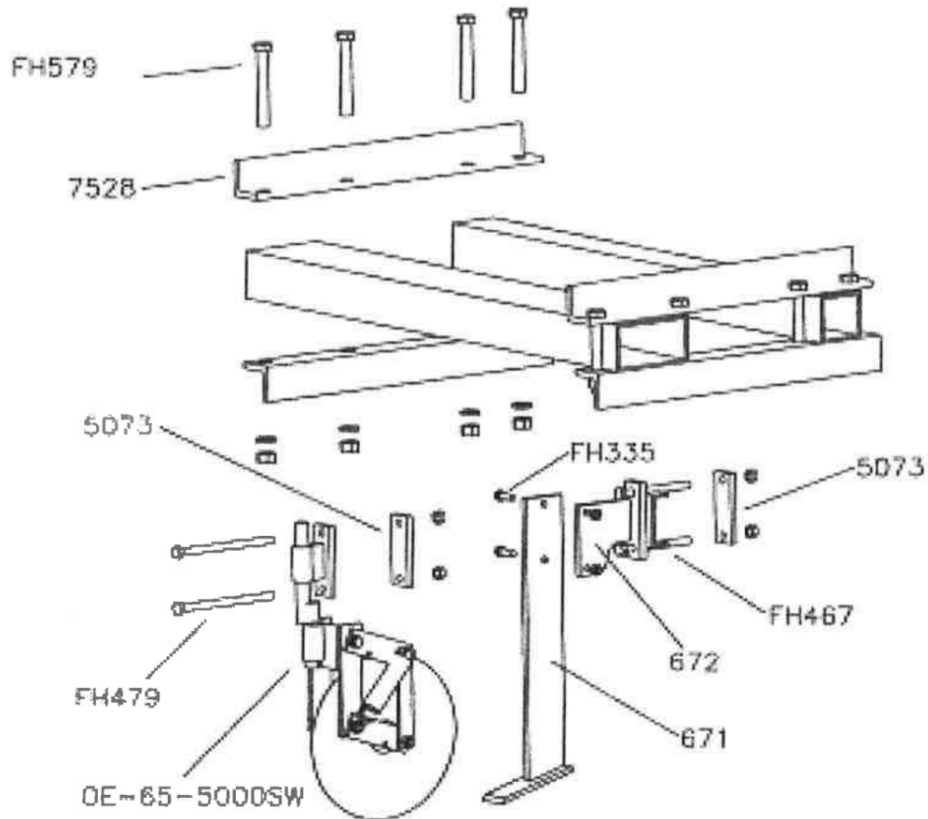


MECHANICAL TRANSPLANTER OE-35 No-Till Attachment



- 671 Shank with tooth
- 672 Tooth mounting bracket
- 5073 Securing plate
- 7528 Angle iron arms
- FH335 1/2x1-1/2" hex head cap screw
- FH467 5/8x6-1/2" hex head cap screw
- FH479 5/8x9-1/2" hex head cap screw
- FH579 7/8x6-1/2" hex head cap screw
- OE-65-5000SW Spring loaded swivel coulter



1395 US 17 South
Elizabeth City, NC 27909
Phone: (252) 264-2400

147 Hwy 32 North
Sunbury, NC 27979
Phone: (252) 465-8614

5038 Old Raleigh Road
Wilson, NC 27893
Phone: (252) 237-0006

www.bandsent.com

